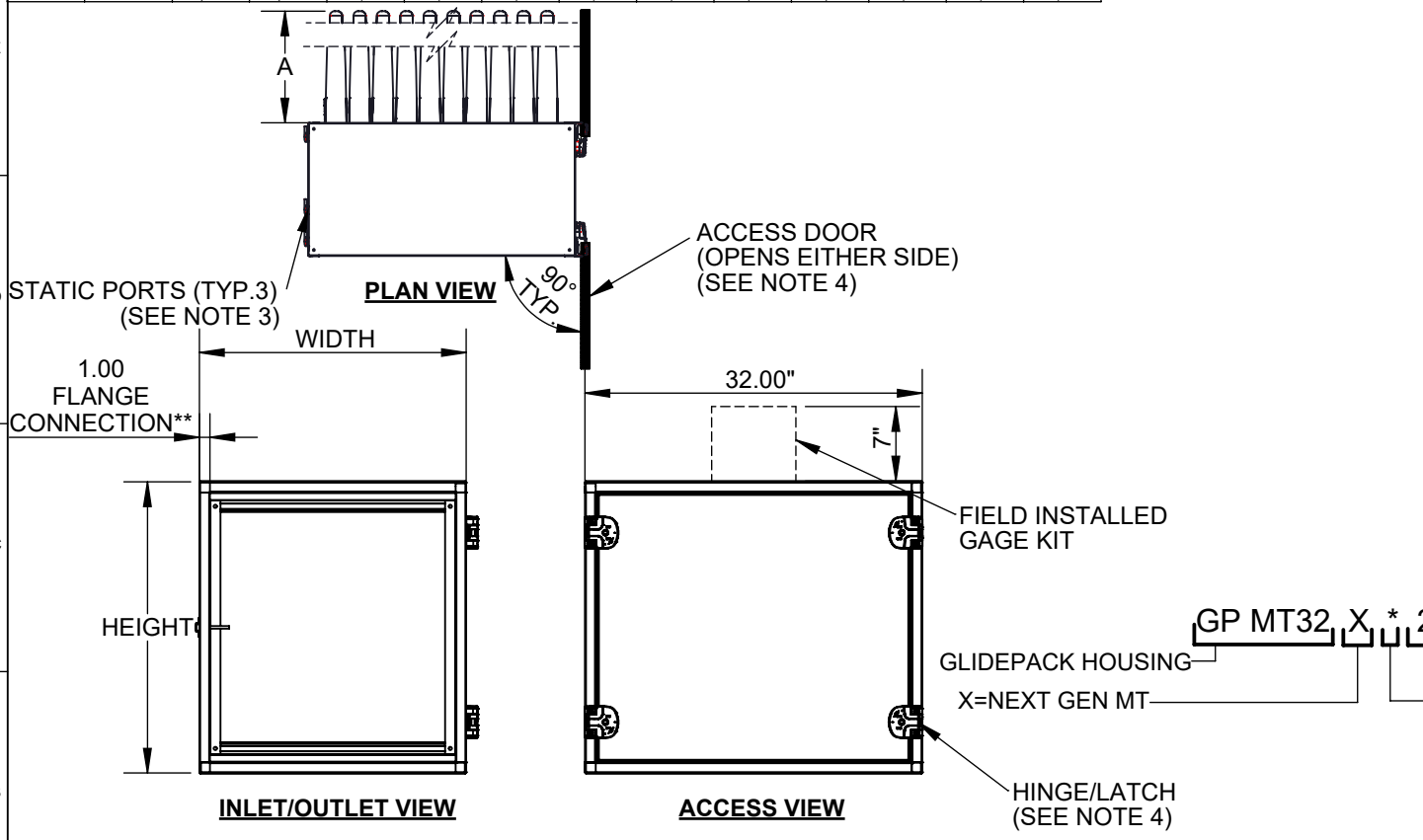


TABLE - STANDARD UNIT AIRFLOW RATING													
NO. OF FILTERS WIDE		1/2	1	1-1/2	2	2-1/2	3	3-1/2	4	4-1/2	5	5-1/2	6
WIDTH (INCH)		13.34	25.34	36.71	48.71	60.09	72.09	83.46	95.46	106.84	118.84	130.21	142.21
NO. OF FILTER HIGH	HEIGHT (INCH)	AIRFLOW CAPACITIES (CFM) AT 500 FPM											
		1/2	15.67	-	1,000	-	2,000	-	3,000	-	4,000	-	5,000
1	27.87	1,000	2,000	3,000	4,000	5,000	6,000	7,000	8,000	9,000	10,000	11,000	12,000
1-1/2	39.75	-	3,000	-	6,000	-	9,000	-	12,000	-	15,000	-	18,000
2	52.06	2,000	4,000	6,000	8,000	10,000	12,000	14,000	16,000	18,000	20,000	22,000	24,000
2-1/2	64.17	-	5,000	-	10,000	-	15,000	-	20,000	-	25,000	-	30,000
3	76.30	3,000	6,000	9,000	12,000	15,000	18,000	21,000	24,000	27,000	30,000	33,000	36,000
3-1/2	88.42	-	7,000	-	14,000	-	21,000	-	28,000	-	35,000	-	42,000
4	100.55	4,000	8,000	12,000	16,000	20,000	24,000	28,000	32,000	36,000	40,000	44,000	48,000

TABLE A	
BAG DEPTH	DIMENSION A
12"	0"
15"	0"
22"	0"
30"	3"

GENERAL INFORMATION	
UNIT IS FACTORY ASSEMBLED	
1. SALES BULLETIN	2430
AIRFLOW CAPACITY	SEE TABLE 1
CLEARANCE FOR SERVICE	MIN 36"
MATERIAL OF CONSTRUCTION	
2. HOUSING STRUCTURE	ALUMINUM EXTRUSION
DOOR GASKET	NEOPRENE
HARDWARE	NYLON
FACTORY INSTALLED GAGES	
TUBING	UV RESISTANT EPDM TUBING
FITTINGS	BRASS
3. STATIC PRESSURE PORTS	NYLON
STATIC TAP LOCATION (SINGLE ACCESS)	LOCATED ON BACK OF UNIT
STATIC TAP LOCATION (DUAL ACCESS)	LOCATED ON TOP OF UNIT
HOUSING ACCESS DOORS	
4. 3 W OR UNDER	SINGLE ACCESS
3.5 W OR OVER	DUAL ACCESS
DOOR LATCH./HINGE	ACCESS DOOR OPENS EITHER SIDE
PERFORMANCE	
OPERATING PRESSURE	+/- 8" W.G
HOUSING LEAKAGE	< 0.5% OF RATED FLOW AT 8" W.G
5. LEAKAGE AROUND FILTER	LESS THAN 1% OF RATED FLOW AT 3" W.G DIFFER.
OPERATING TEMPERATURE	SEE FILTER PERFORMANCE SPECS
INSULATION	MEETS ASTM E-84
HOUSING RATED TEMP.	-40° F TO +220° F



**-DUCT SCREW CANNOT EXCEED 7/8" PAST THE DUCT THICKNESS

GP MT32 X * 2HX2W

GLIDEPACK HOUSING X=NEXT GEN MT

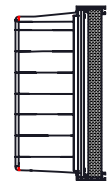
HOUSING HEIGHT X WIDTH

BLANK=STANDARD CONSTRUCTION


FILTER COMBINATIONS:

MULTIPLE FILTER COMBINATIONS CAN BE INCLUDED INSIDE THE HOUSING USING THE OPTIONS LISTED.


IF A HEADERED BAG FILTER IS USED, THE BAG WILL EXTEND OUTSIDE THE HOUSING PER "TABLE A"




OPTION A:
(1) 2" FILTER
(1) BAG FILTER



OPTION B:
(1) 2" PREFILTER
(2) 12" HEADERED FILTER



OPTION C:
(1) 30" HEADERED FILTER
(SEE TABLE A)



©CAMFIL www.camfil.com

CUSTOMER APPROVAL BLOCK		DESCRIPTION	
CUSTOMER:	_____	CAMFIL GLIDEPACK MULTITRACK 32 HOUSING SALES DRAWING	
CUSTOMER PO:	_____		
YOUR APPROVAL OF THIS PRINT AUTHORIZES CAMFIL TO PROCEED WITH MATERIAL PROCUREMENT, TOOLING AND PRODUCT FABRICATION. ANY CHANGES MADE AFTER APPROVAL MAY INCUR FURTHER EXPENSES TO THE CUSTOMER.			
SIGNATURE/DATE:	_____	DRAWN BY: <i>WAW</i>	DATE: <i>1/27/23</i>
		APPR. BY: <i>REG</i>	DATE: <i>1/27/23</i>
		SHEET 1 OF 1	DRAWING NUMBER M247 MT32
			REV. 0